

Katalog náhradních dílů pro
průmyslový šicí stroj

GARUDAN®

Podtřídy

NT67-01

NT67-03

NT67-12



ANITA B s.r.o.

Hliníky 2068

680 01 Boskovice

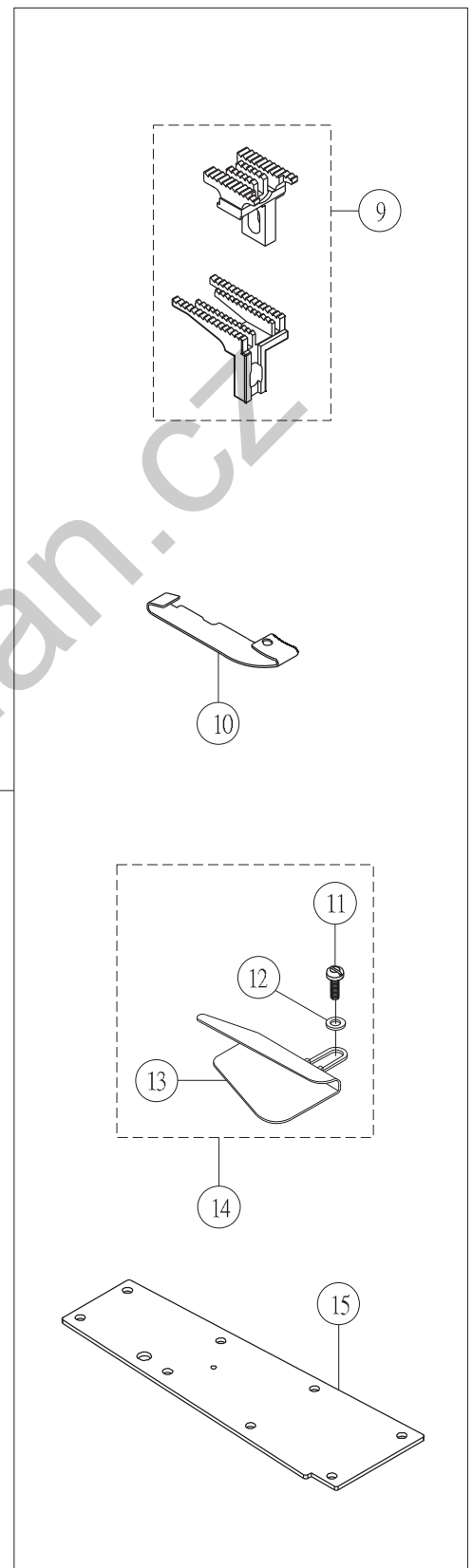
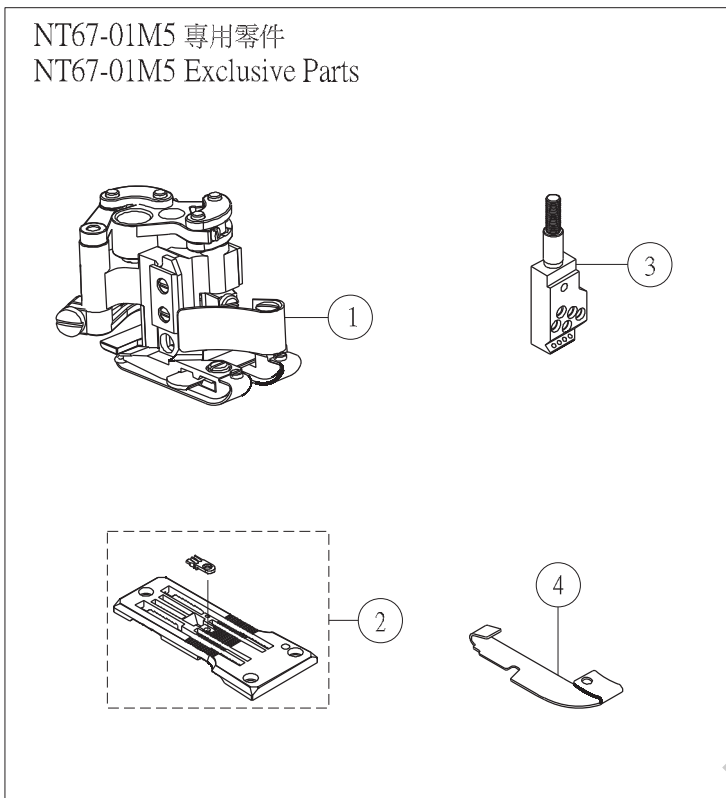
Czech Republic

fax: +420 516 452 751

tel: +420 516 456 604,

e-mail: info@anita.cz

副機型專用零件 NT67-01M5



NT67-01M5專用零件 NT67-01M5 Exclusive Parts

序號	物料編號	名稱		單位用量
Ref. No.	Parts Number	Description		Amt.Req.
1	5240PF02	壓腳組	Presser Foot Asm.	1
2	5240TP003	針板組	Stitch Plate Asm.	1
3	5240NC001	針留	Needle	1
4	5240PF0222	簧片補助壓腳底	Presser Foot Spring Plate	1

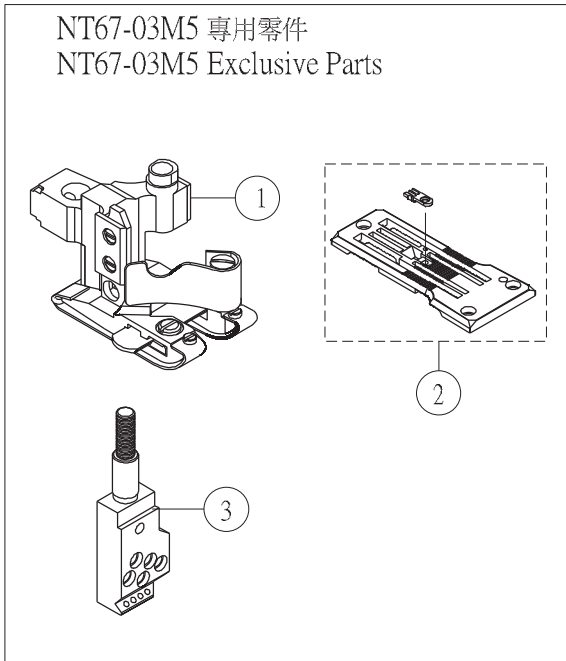
NT67-01M6專用零件 NT67-01M6 Exclusive Parts

序號	物料編號	名稱		單位用量
Ref. No.	Parts Number	Description		Amt.Req.
5	5240PF02	壓腳組	Presser Foot Asm.	1
6	5240TP003	針板組	Stitch Plate Asm.	1
7	5240NC001	針留	Needle	1
8	5240PF0222	簧片補助壓腳底	Presser Foot Spring Plate	1

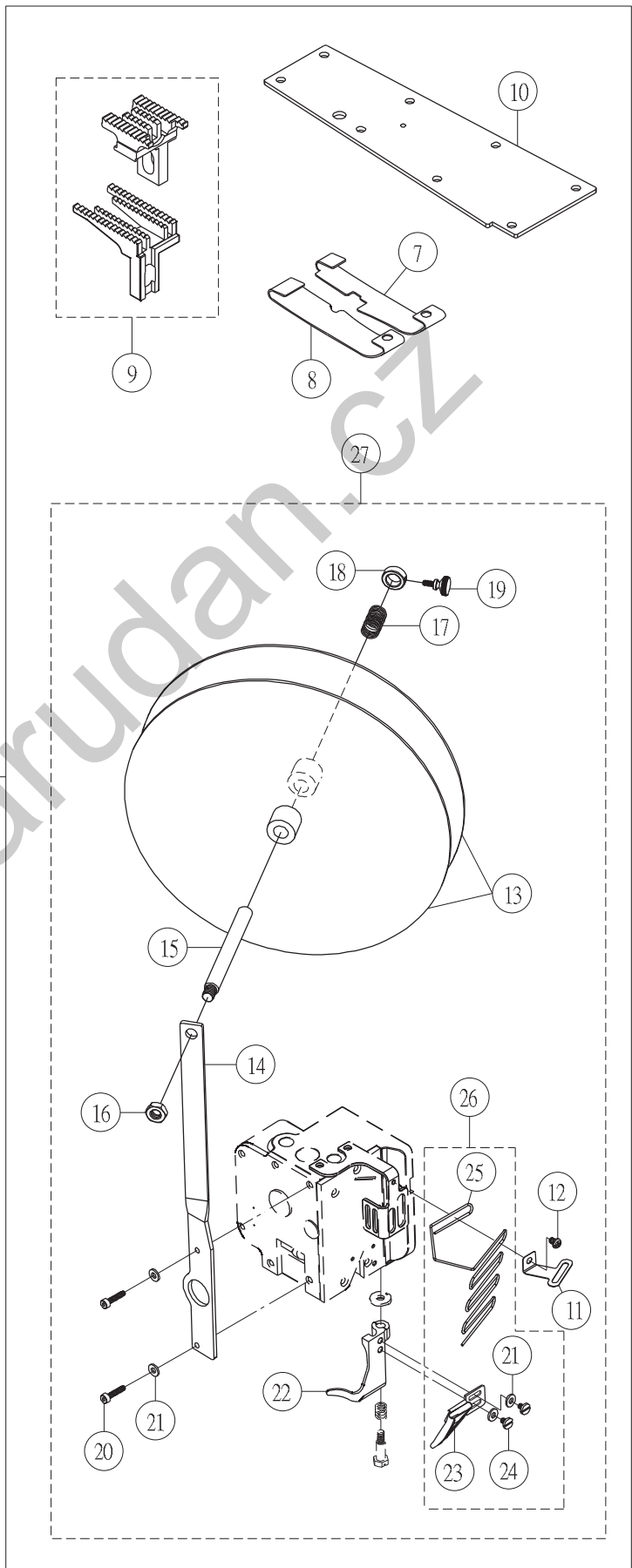
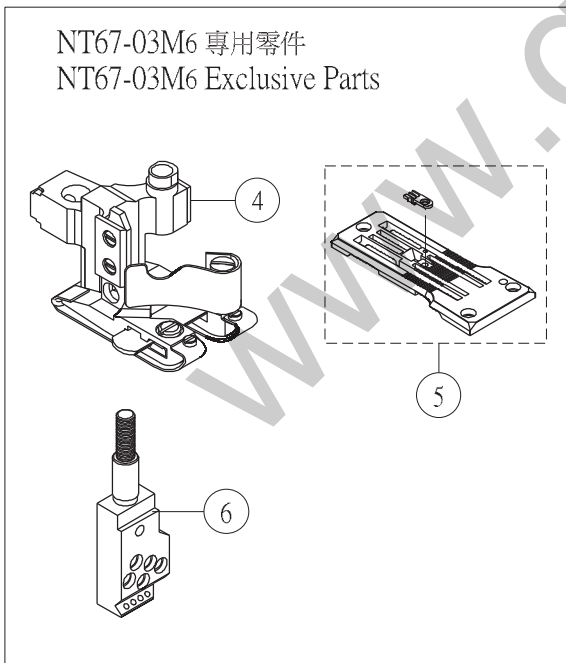
NT67-01M5 / NT67-01M6

序號	物料編號	名稱		單位用量
Ref. No.	Parts Number	Description		Amt.Req.
9	5240DG02	送布齒組	Feed Dog Asm.	1
10	5240PF0223	簧片補助壓腳底	Presser Foot Spring Plate	1
11	8MB85241107A	螺絲	Screw	1
12	2100000223	墊圈	Washer	1
13	668591	導模	Lap Former	1
14	66859	導模組	Lap Former Asm	1
15	240001081	送齒台架封蓋	Sewing Cylinder Cover	1

NT67-03M5 專用零件
NT67-03M5 Exclusive Parts



NT67-03M6 專用零件
NT67-03M6 Exclusive Parts



NT67-03M5專用零件 NT67-03M5 Exclusive Parts

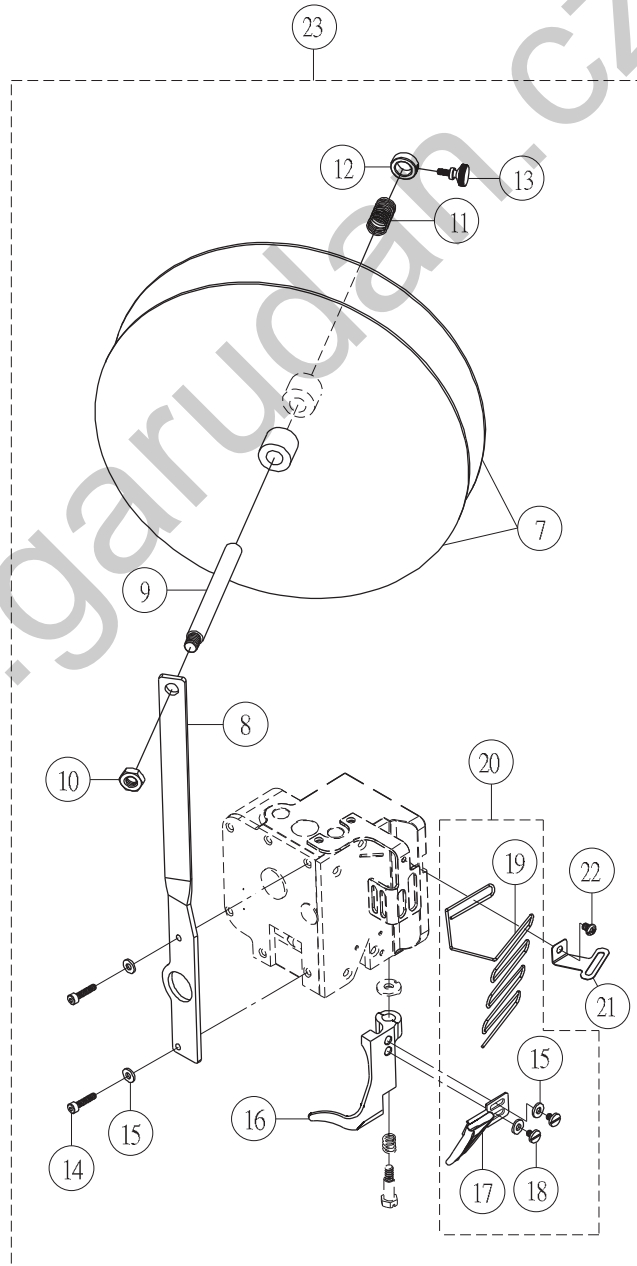
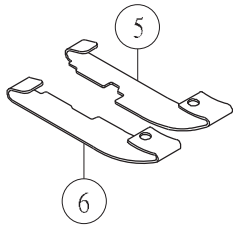
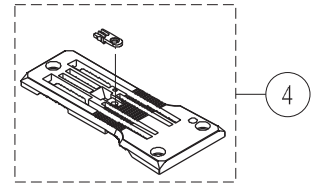
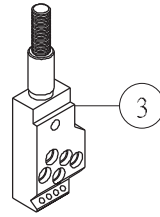
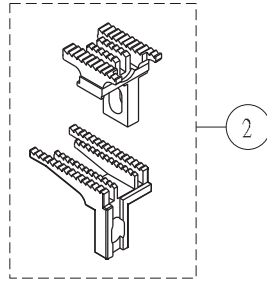
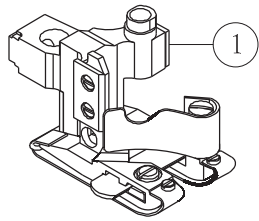
序號	物料編號	名稱		單位用量
Ref. No.	Parts Number	Description		Amt. Req.
1	5240PF05	壓腳組	Presser Foot Set	1
2	5240TP003	針板組	Stitch Plate Set For NT6703M5	1
3	5240NC001	針留	Needle Clamp For NT6703M5	1
				1

NT67-03M6專用零件 NT67-03M6 Exclusive Parts

序號	物料編號	名稱		單位用量
Ref. No.	Parts Number	Description		Amt. Req.
4	5240PF13	壓腳組	Presser Foot Set	1
5	5240TP004	針板組	Stitch Plate Set For NT6703M6	1
6	5240NC002	針留	Needle Clamp For NT6703M6	1
				1

NT67-03M5 / NT67-03M6

序號	物料編號	名稱		單位用量
Ref. No.	Parts Number	Description		Amt. Req.
7	5240PF0514	簧片輔助壓腳底	Presser Foot Spring Plate	1
8	5240PF0515	簧片輔助壓腳底	Presser Foot Spring Plate	1
9	5240DG02	送布齒組	Dog Set	1
10	240001081	送齒台架封蓋	Sewing Cylinder Cover	1
11	4TB008008	導帶	Tape Guide	1
12	8MC04280807D	螺絲	Screw	1
13	4TS0050101	織帶盤	Tape Reel	2
14	4TB008002	支架	Support	1
15	4TB008003	軸	Shaft	1
16	8MA08500513A	螺帽	Nut	1
17	4TB008005	壓縮彈簧	Tape Reel Spring	1
18	4TB008006	定位環	Collar	1
19	4TB008007	固定螺樁	Screw	1
20	8MM85242007A	螺絲	Screw	2
21	2100000223	墊圈(W3)	Washer	4
22	4TB008009	護罩	Guard Cover	1
23	240FR0101	導模	Folder	1
24	8SC36400707A	螺絲	Screw	2
25	240FR0102	蛇形導模	Folder	1
26	240FRA01	導模組	Folder Asm.	1
27	TB008	補強帶組	Tape Reel Set	1

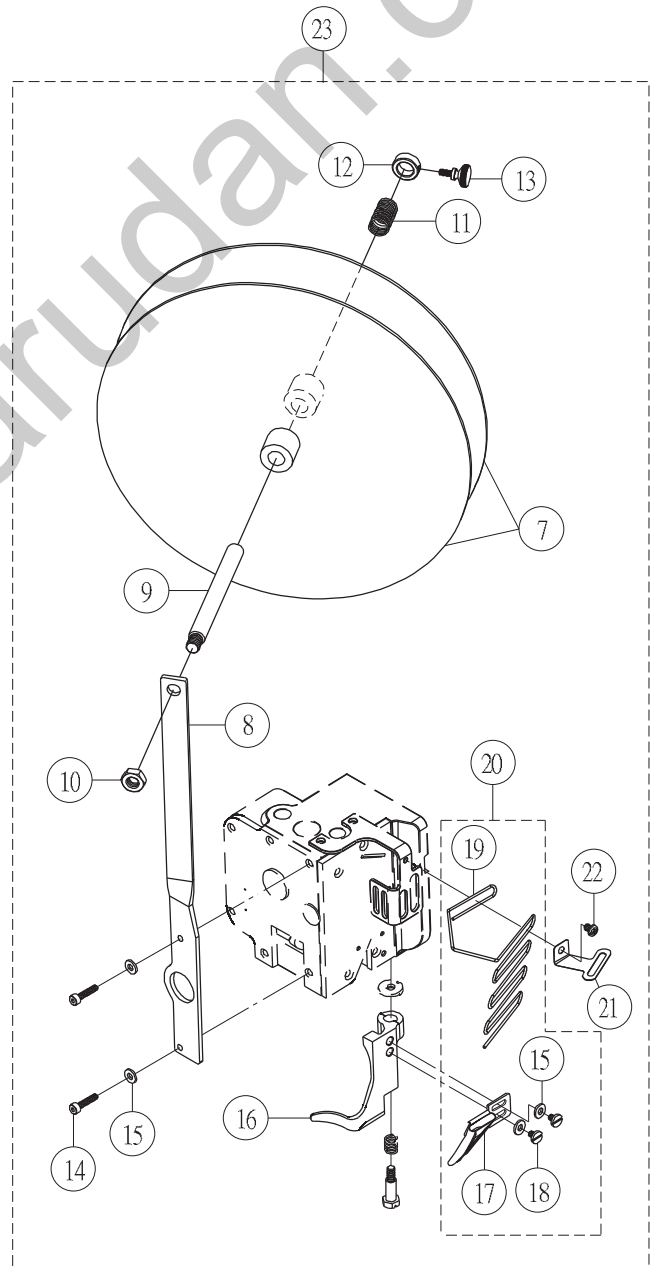
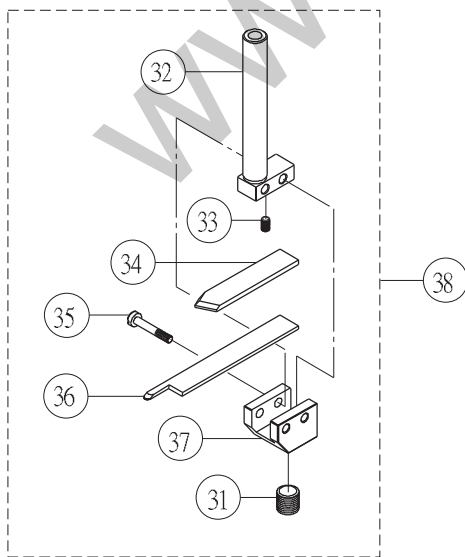
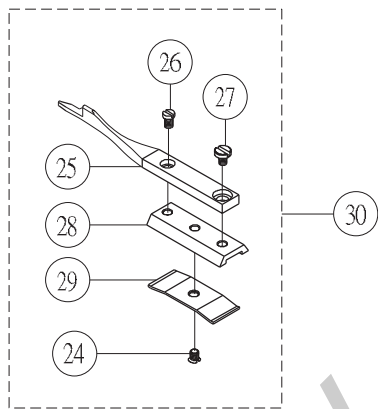
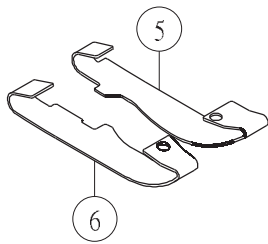
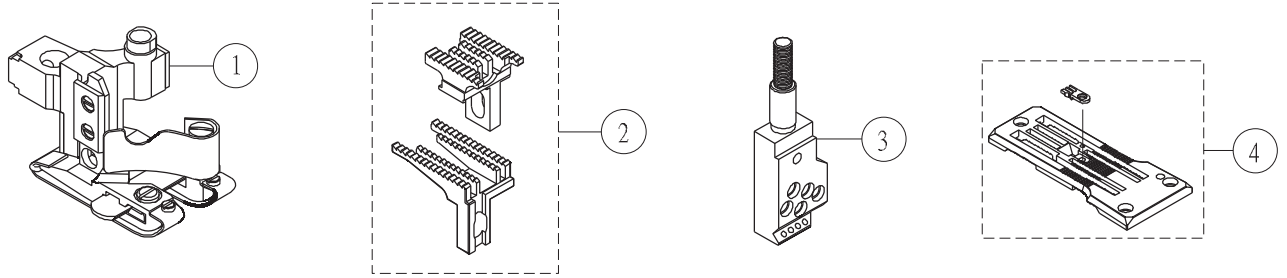


NT67-03AM5

序號	物料編號	名稱	單位	用量
Ref. No.	Parts Number	Description	Amt.	Req.
1	5240PF06	壓腳組	Presser Foot Set	1
2	5240DG02	送布齒組	Dog Set	1
3	5240TP003	針板組	Stitch Plate Set For NT6703AM5	1
4	5240NC001	針留	Needle Clamp For NT6703AM5	1
5	5240PF0614	簧片輔助壓腳底	Presser Foot Spring Plate	1
6	5240PF0615	簧片輔助壓腳底	Presser Foot Spring Plate	1
7	4TS0050101	織帶盤	Tape Reel	2
8	4TB008002	支架	Support	1
9	4TB008003	軸	Shaft	1
10	8MA08500513A	螺帽	Nut	1
11	4TB008005	壓縮彈簧	Tape Reel Spring	1
12	4TB008006	定位環	Collar	1
13	4TB008007	固定螺椿	Screw	1
14	8MM85242007A	螺絲	Screw	2
15	2100000223	墊圈(W3)	Washer	4
16	4TB008009	護罩	Guard Cover	1
17	240FR0101	導模	Folder	1
18	8SC36400707A	螺絲	Screw	2
19	240FR0102	蛇形導模	Folder	1
20	240FRA01	導模組	Folder Asm.	1
21	4TB008008	導帶	Tape Guide	1
22	8MC04280807D	螺絲	Screw	1
23	Tb008	補強帶組	Tape Reel Set	1

www.garudan.cz

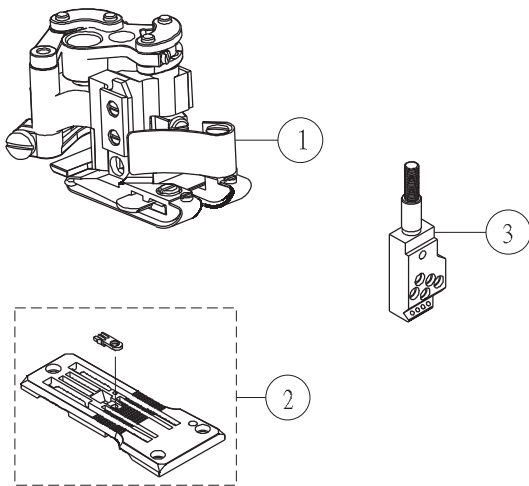
NT67-03BH5



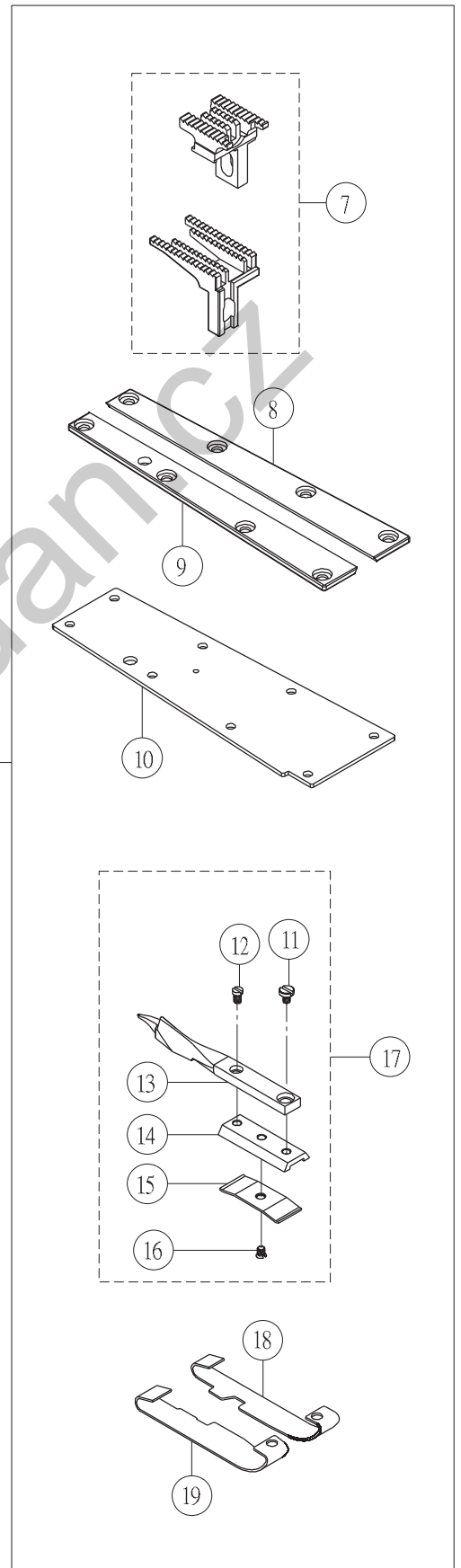
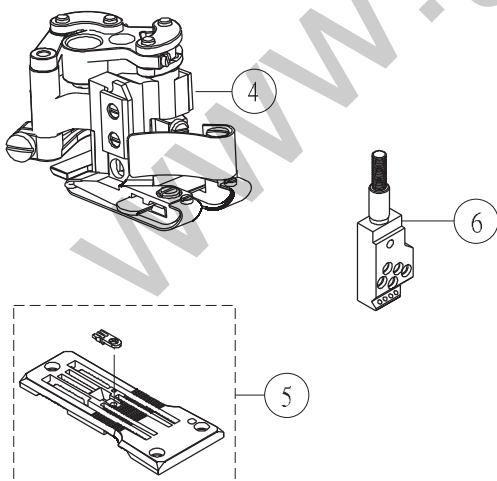
NT67-03BH5

序號	物料編號	名稱		單位	用量
Ref. No.	Parts Number	Description		Amt.	Req.
1	5240PF12	壓腳組	Presser Foot Set	1	1
2	5240DG02	送布齒組	Dog Set	1	1
3	5240NC001	針留	Needle Clamp For NT6703AM5	1	1
4	5240TP003	針板組	Stitch Plate Set For NT6703AM5	1	1
5	5240PF0714	簧片輔助壓腳底	Presser Foot Spring Plate	1	1
6	5240PF1215	簧片輔助壓腳底	Presser Foot Spring Plate	1	1
7	4TS0050101	織帶盤	Tape Reel	2	2
8	4TB008002	支架	Support	1	1
9	4TB008003	軸	Shaft	1	1
10	8MA08500513A	螺帽	Nut	1	1
11	4TB008005	壓縮彈簧	Tape Reel Spring	1	1
12	4TB008006	定位環	Collar	1	1
13	4TB008007	固定螺椿	Screw	1	1
14	8MM85242007A	螺絲	Screw	2	2
15	2100000223	墊圈(W3)	Washer	4	4
16	4TB008009	護罩	Guard Cover	1	1
17	240FR0101	導模	Folder	1	1
18	8SC36400707A	螺絲	Screw	2	2
19	240FR0102	蛇形導模	Folder	1	1
20	240FRA01	導模組	Folder Asm.	1	1
21	4TB008008	導帶	Tape Guide	1	1
22	8MC04280807D	螺絲	Screw	1	1
23	TB008	補強帶組	Tape Reel Set	1	1
24	8SF24560304B	螺絲	Screw	1	1
25	5240FG004	疊縫導模	Lap Former	1	1
26	8SB24560404B	螺絲	Screw	1	1
27	8SB24560405B	螺絲	Screw	1	1
28	240010022	導模座	Lap Former Slide Block	1	1
29	240010023	簧片	Lap Former Slide Block Spring	1	1
30	240A0805	疊縫導模組	Lap Former Asm.	1	1
31	8SN64400600A	螺絲	Screw	1	1
32	240010029	刀柄	Knife	1	1
33	8SG24560400X	螺絲	Screw	1	1
34	2400100281	壓板	Knife	1	1
35	8SB24561404B	螺絲	Screw	2	2
36	240010027	刀片	Upper Knife	1	1
37	240010030	刀片夾	Upper Holder	1	1
38	240A0804	刀柄組	Knife Asm.	1	1

NT67-12M5 專用零件
NT67-12M5 Exclusive Parts



NT67-12M6 專用零件
NT67-12M6 Exclusive Parts



Nt67-12M5專用零件 Nt67-12M5 Exclusive Parts

序號	物料編號	名稱		單位用量
Ref. No.	Parts Number	Description		Amt.Req.
1	5240PF01	壓腳組	Presser Foot Set	1
2	5240TP001	針板組	Stitch Plate Set For NT6703M5	1
3	5240NC001	針留	Needle Clamp For NT6703M5	1
				1

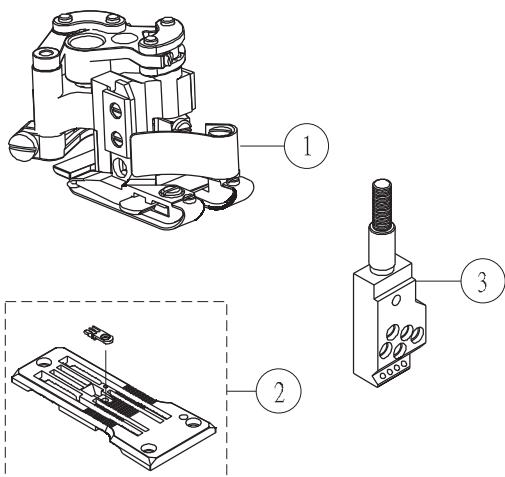
Nt67-12M6專用零件 Nt67-12M6 Exclusive Parts

序號	物料編號	名稱		單位用量
Ref. No.	Parts Number	Description		Amt.Req.
4	5240PF13	壓腳組	Presser Foot Set	1
5	5240TP002	針板組	Stitch Plate Set For NT6703M6	1
6	5240NC002	針留	Needle Clamp For NT6703M6	1
				1

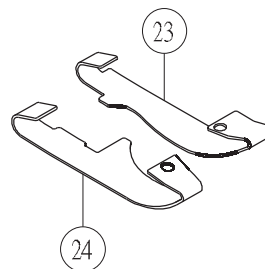
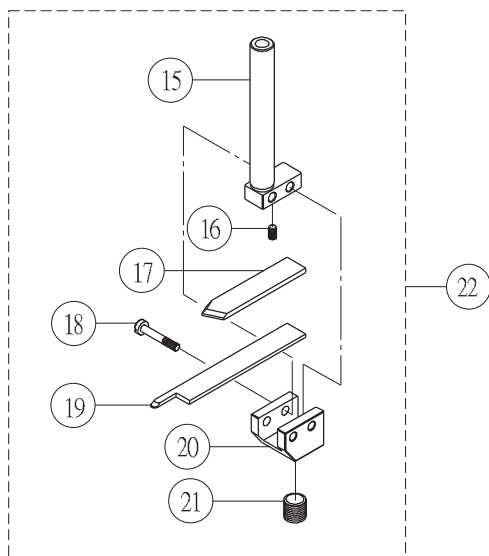
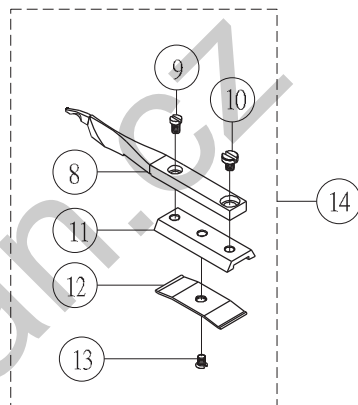
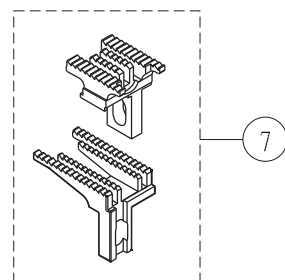
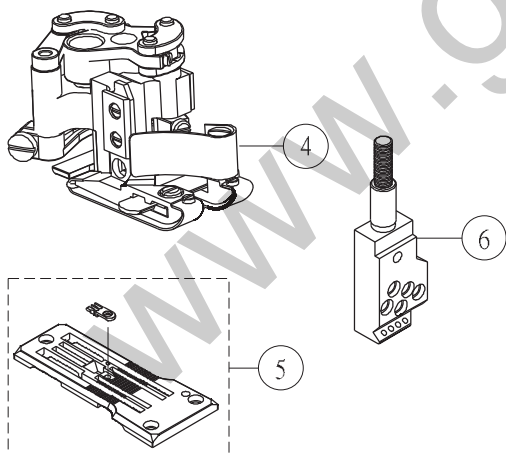
Nt67-12M5 / Nt67-12M6

序號	物料編號	名稱		單位用量
Ref. No.	Parts Number	Description		Amt.Req.
7	5240DG01	送布齒組	Feed Dog Asm.	1
8	240001068	鳩尾導軌	Lap Former Guide Plate	1
9	240001069	鳩尾導軌	Lap Former Guide Plate	1
10	240001053	送齒台架封蓋	Sewing Cylinder Cover	1
11	8SB24560405B	螺絲	Screw	1
12	8SB24560404B	螺絲	Screw	1
13	5240FG001	疊縫導模	Lap Former	1
14	240010022	導模座	Lap Former Slide Block	1
15	240010023	簧片	Lap Former Slide Block Spring	1
16	8SF24500304B	螺絲	Screw	1
17	240A0801	疊縫導模組	Lap Former Asm.	1
18	5240PF0114	簧片輔助壓腳底	Presser Foot Spring Plate	1
19	5240PF0115	簧片輔助壓腳底	Presser Foot Spring Plate	1

NT67-12H5 專用零件
NT67-12H5 Exclusive Parts



NT67-12H6 專用零件
NT67-12H6 Exclusive Parts



Nt67-12H5專用零件 Nt67-12H5 Exclusive Parts

序號	物料編號	名稱		單位用量
Ref. No.	Parts Number	Description		Amt. Req.
1	5240PF07	壓腳組	Presser Foot Set	1
2	5240TP001	針板組	Stitch Plate Set For NT6703H5	1
3	5240NC001	針留	Needle Clamp For NT6703H5	1
				1

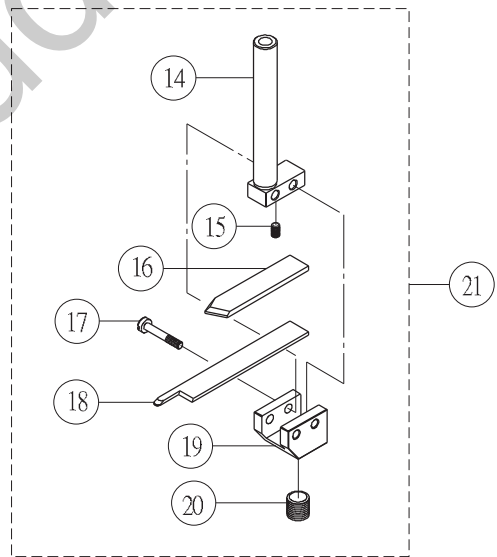
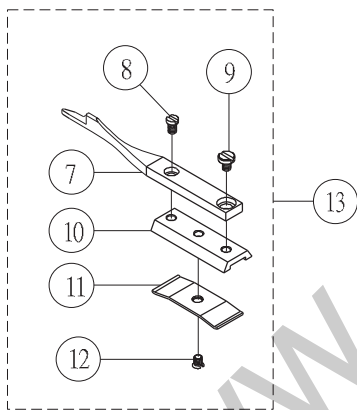
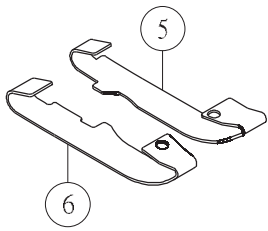
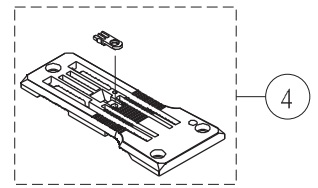
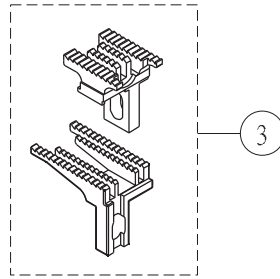
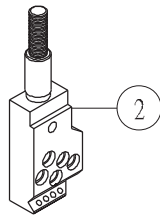
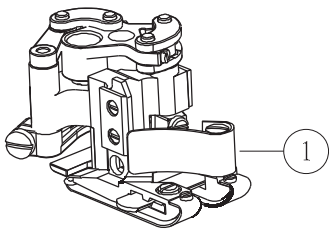
Nt67-12H6專用零件 Nt67-12H6 Exclusive Parts

序號	物料編號	名稱		單位用量
Ref. No.	Parts Number	Description		Amt. Req.
4	5240PF09	壓腳組	Presser Foot Set	1
5	5240TP002	針板組	Stitch Plate Set For Nt6703H6	1
6	5240NC002	針留	Needle Clamp For Nt6703H6	1
				1

Nt67-12H5 / Nt67-12H6

序號	物料編號	名稱		單位用量
Ref. No.	Parts Number	Description		Amt. Req.
7	5240DG01	送布齒組	Dog Set	1
8	5240FG006	疊縫導模	Lap Former	1
9	8SB24560404B	螺絲	Screw	1
10	8SB24560405B	螺絲	Screw	1
11	240010022	導模座	Lap Former Slide Block	1
12	240010023	簧片	Lap Former Slide Block Spring	1
13	8SF24560304B	螺絲	Screw	1
14	240A0802	疊縫導模組	Lap Former Asm.	1
15	240010029	刀柄	Knife	1
16	8SG24560400X	螺絲	Screw	1
17	2400100281	壓板	Knife	1
18	8SB24561404B	螺絲	Screw	2
19	240010027	刀片	Upper Knife	1
20	240010030	刀片夾	Upper Holder	1
21	8SN64400600A	螺絲	Screw	1
22	240A0804	刀柄組	Knife Asm.	1
23	5240PF0714	簧片輔助壓腳底	Presser Foot Spring Plate	1
24	5240PF0715	簧片輔助壓腳底	Presser Foot Spring Plate	1

NT67-12AH5



www.garudan.cz

Nt67-12AH5專用零件 Nt67-12AH5 Exclusive Parts

序號	物料編號	名稱	單位用量
Ref. No.	Parts Number	Description	Amt. Req.
1	5240PF10	壓腳組	1
2	5240NC001	針留	1
3	5240DG01	送布齒組	1
4	5240TP001	針板組	1
5	5240PF1014	簧片輔助壓腳底	1
6	5240PF1015	簧片輔助壓腳底	1
7	5240FG004	疊縫導模	1
8	8SB24560404B	螺絲	1
9	8SB24560405B	螺絲	1
10	240010022	導模座	1
11	240010023	簧片	1
12	8SF24560304B	螺絲	1
13	240A0805	疊縫導模組	1
14	240010029	刀柄	1
15	8SG24560400X	螺絲	1
16	2400100281	壓板	1
17	8SB24561404B	螺絲	1
18	240010027	刀片	1
19	240010030	刀片夾	1
20	8SN64400600A	螺絲	1
21	240A0804	刀柄組	1

www.garudan.cz